



PLAY DEMO VIDEO |

JUMP TO PAGE:

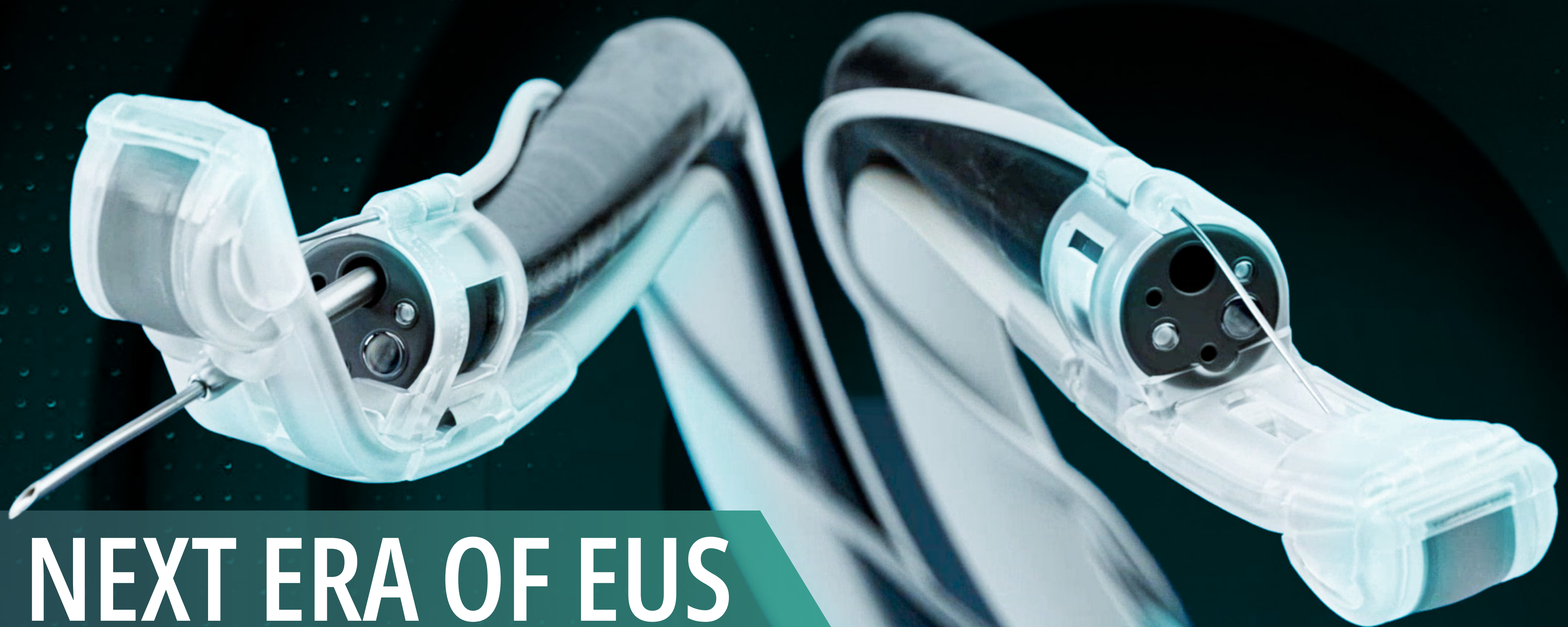
[1](#)

[2](#)

[3](#)

[4](#)

[5](#)



# THE NEXT ERA OF EUS

EndoSound Vision System

## EXPANDING ACCESS TO ENDOSCOPIC ULTRASOUND

Endoscopic ultrasound (EUS) is the most accurate tool for the diagnosis and treatment of various disorders of the digestive tract; however, the high cost of EUS systems is a challenge for providers to overcome. The EndoSound Vision System (EVS) brings accessibility to EUS at a fraction of the cost of conventional EUS. Moreover, the EVS converts flexible video gastroscopes from the major endoscope manufacturers into an ultrasound endoscope.

### EXPANDING EUS SITES OF SERVICE

By reducing the cost of the system, EVS removes the primary barriers to integrating EUS for ambulatory surgical centers and hospitals of any size or location, thereby empowering providers with the flexibility to perform EUS procedures when and where they want.

### MAKING EUS MORE AFFORDABLE

The adaptive design of the EVS enables healthcare facilities to implement EUS programs at a fraction of the price of traditional systems by modifying existing equipment instead of investing in additional endoscopes.

### ACHIEVING EXCELLENT EUS IMAGING

The EVS attaches to your current video gastroscopes to provide excellent image quality and therapeutic capabilities consistent with today's leading ultrasound platforms.



## SEE HOW ENDOSOUND IS MAKING EUS MORE ACCESSIBLE

[Watch EVS demo video](#)

[Watch clinical cases](#)

[Download the EVS Setup Quick Reference Guide](#)

[Visit our website](#)

Complete EndoSound Vision System

## LEADING CLINICIANS RECOGNIZE THE ENDOSOUND VISION SYSTEM® AS THE FUTURE OF EUS



“Because of its price and efficacy, I believe that the EndoSound EVS can shift EUS procedures from the hospital to the ambulatory surgical center. As an interventional endoscopist, I know this will also improve patient satisfaction.”

**Isaac Raijman, MD, Gastroenterologist & Therapeutic Endoscopist**



“I’ve used the EVS and I find the imaging comparable to existing EUS. Access to EUS in Latin America has been a challenge and that is mostly due to the cost of conventional systems. Since the EVS is a less expensive system, I believe it is the next era of EUS in Latin America.”

**Prof. Carlos Robles-Medranda, MD, Gastroenterologist & Therapeutic Endoscopist**



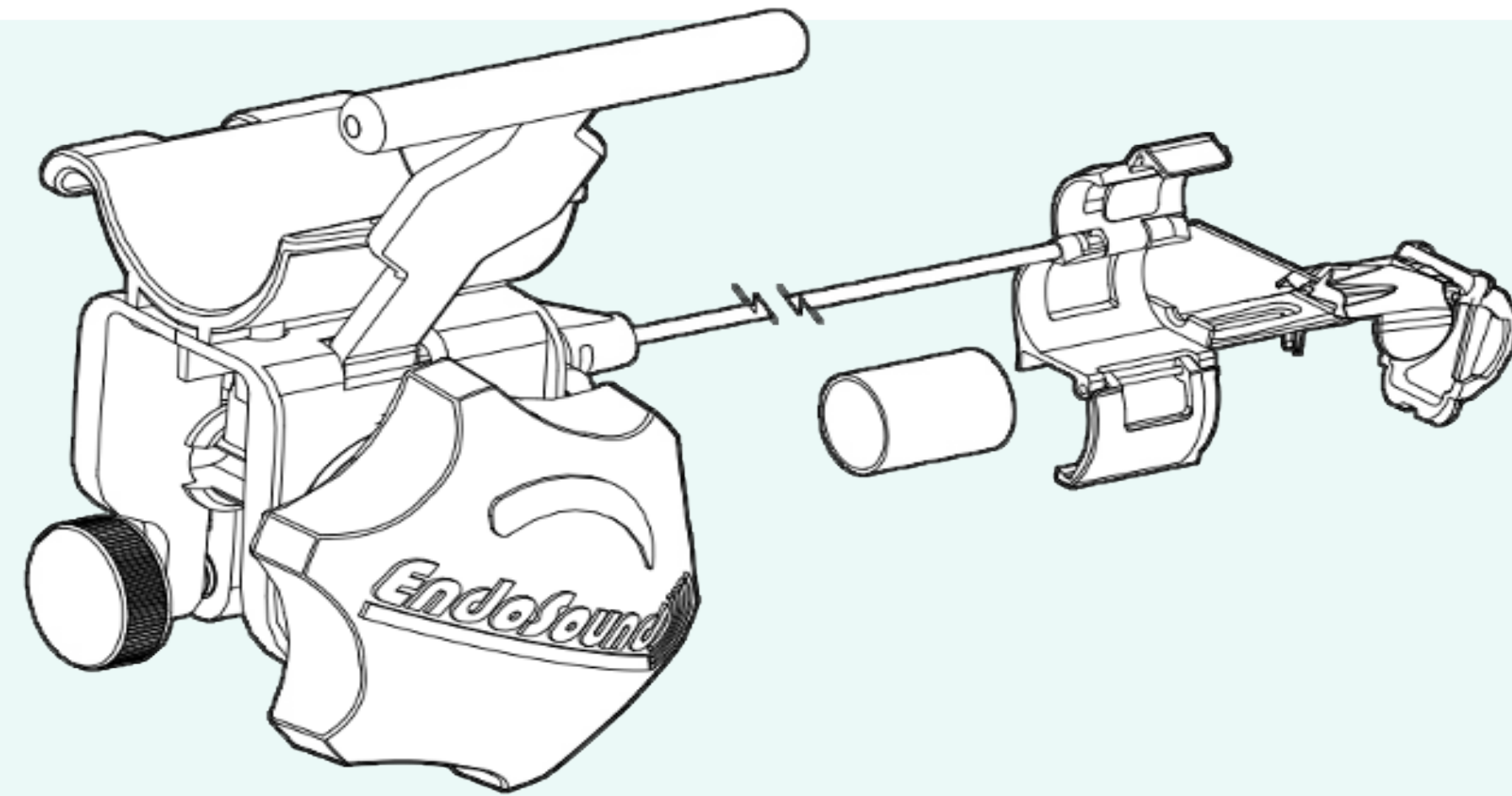
“The most striking aspect of Endosound was its image quality and the ease with which a fine needle biopsy was achieved. The Endosound technology is revolutionary and resourceful.”

**Marco A. Paez, MD, Gastroenterologist & Therapeutic Endoscopist**

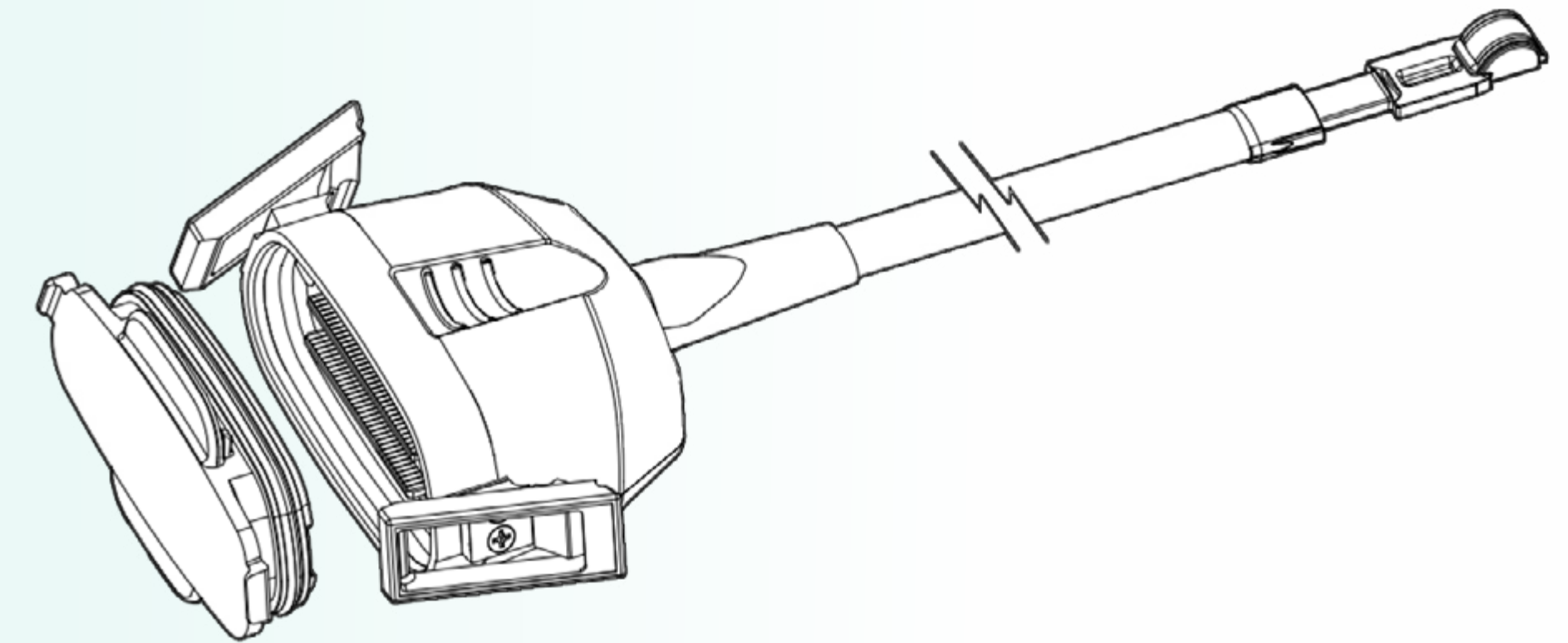


# EVS COMPONENTS

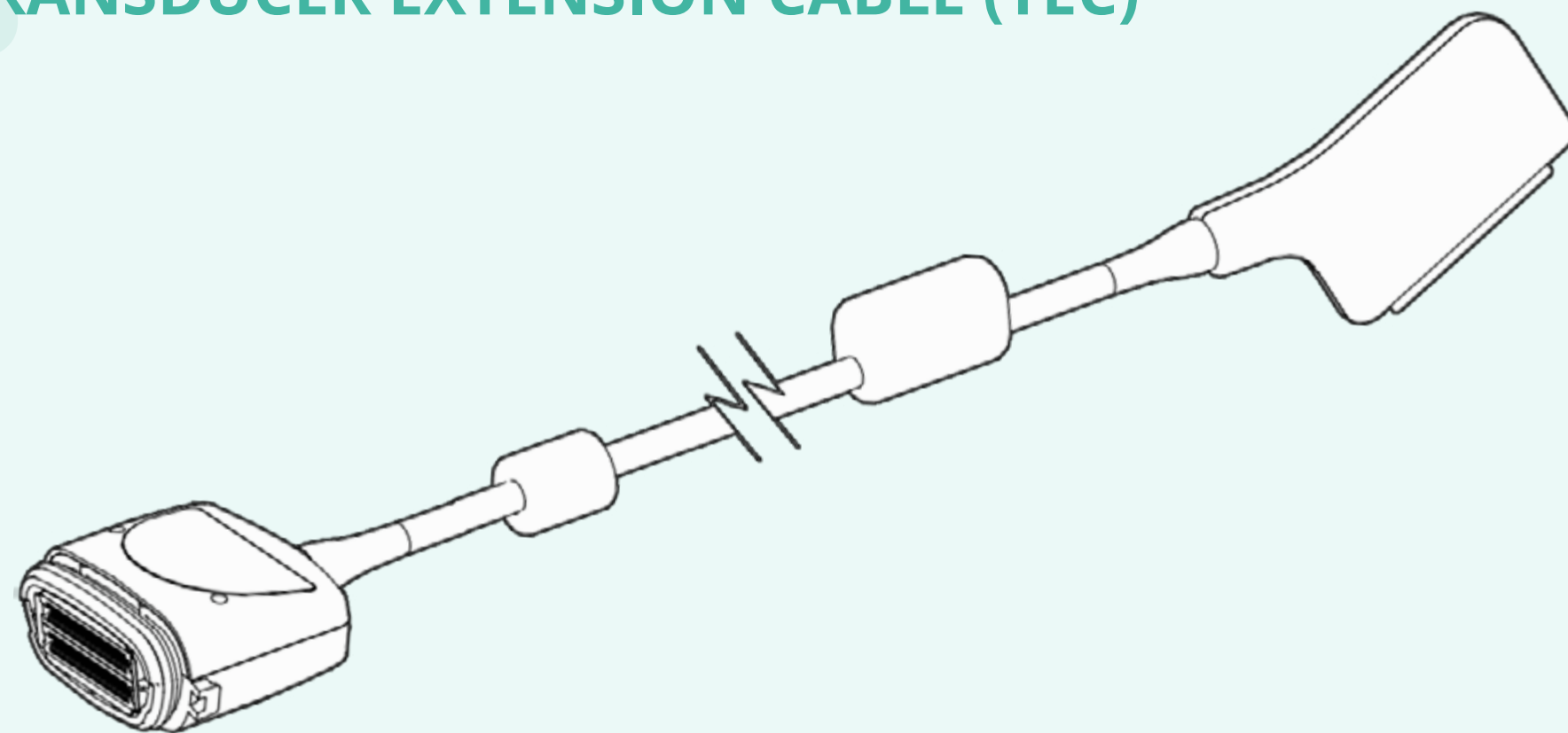
## 1 ULTRASOUND DISPOSABLE KIT (UDK-T); DIAGNOSTIC/THERAPEUTIC



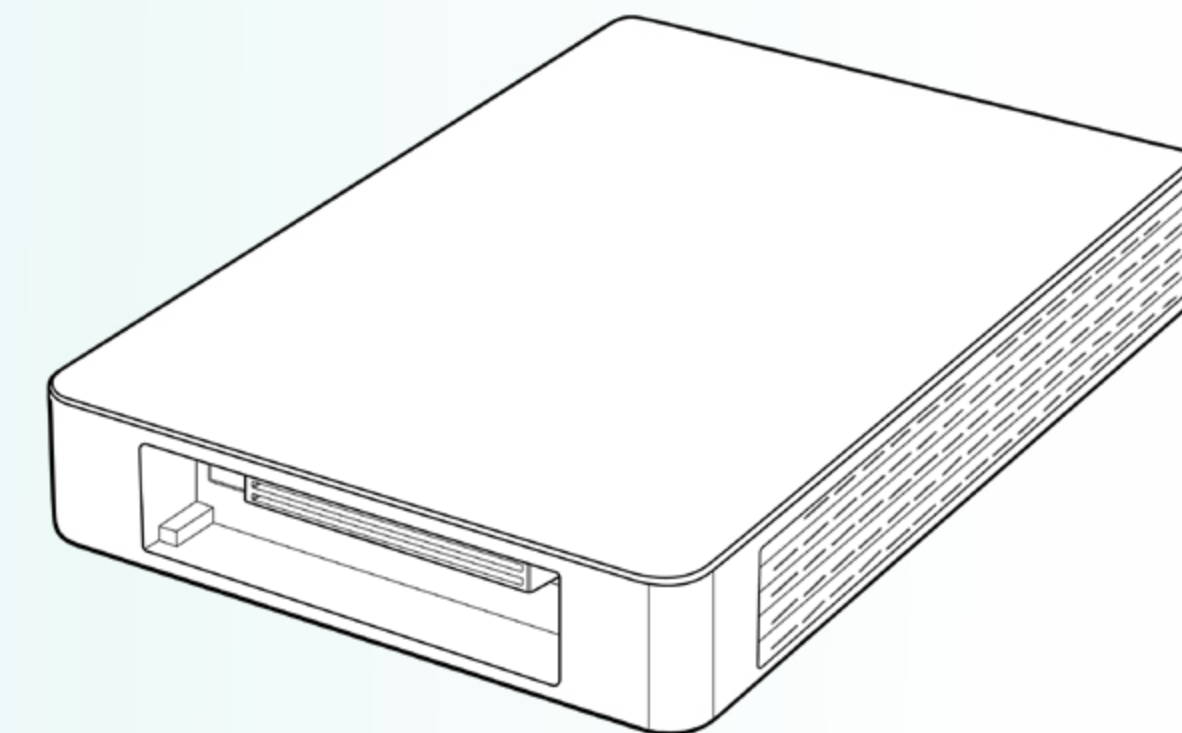
## 2 ULTRASOUND TRANSDUCER MODULE (UTM)



## 3 TRANSDUCER EXTENSION CABLE (TEC)



## 4 EVS SCANNER



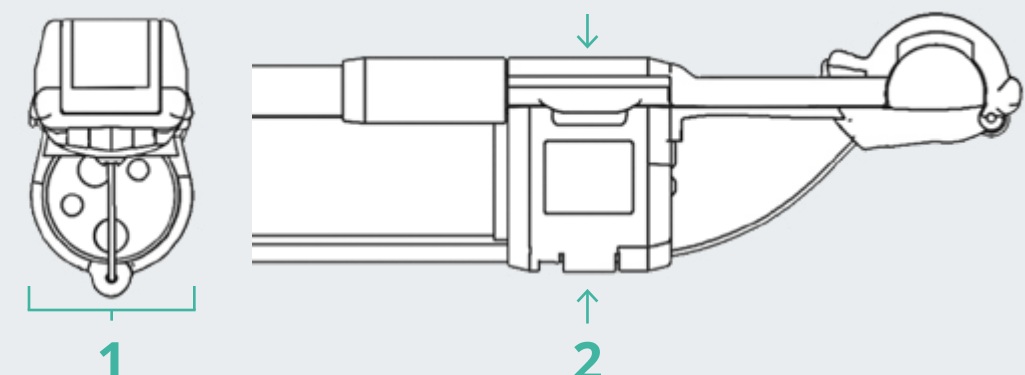
## PART NUMBERS

PART DESCRIPTION	PART NUMBER
EVS Scanner	5000
UTM	5001
TEC	5002
<b>UDK-T; 11.1 – 11.5 (pack of 10)</b>	<b>5003*</b>
<b>UDK-T; 10.1 – &lt;10.6 (pack of 10)</b>	<b>5005*</b>
<b>UDK-T; 10.6 – &lt;11.1 (pack of 10)</b>	<b>5007*</b>
<b>UDK-T; 9.6 – &lt;10.1 (pack of 10)</b>	<b>5009*</b>
EVS Band Applicator	5012
<b>EVS Bands</b>	<b>5013*</b>
UTM Soaking Cap	5014
UTM Air Leak Test Cap	5015
EVS Instructions for Use	19100
EVS Reprocessing Instructions for Use	19101
EVS Viewer Software User Manual	19102

\*Eligible for TPT C1606

## SPECIFICATIONS

UTM-UDK-T, WITH GASTROSCOPE	MEASUREMENTS
Width (1)	13.6 mm
Max diameter (2)	19.3 mm
Weight (UTM and UDK-T)	212 g
Working length	1167 mm



EVS SCANNER	MEASUREMENTS
Scanning range	150°
Operation mode	B mode, color flow mode, power flow mode, etc.
Scanning method	Electronic convex curved linear array
Scanning direction	Parallel to the insertion direction
Ultrasound frequency	5, 9, 11 MHz
UTM surface max temperature	41° C
Contacting method	Direct
Weight (EVS Scanner)	660 g

UDK-T	MEASUREMENTS
Articulation range, endoscope straight	5°–85°

 **JOIN US FOR THE NEXT ERA OF EUS**  
**CONTACT US FOR A DEMO**

**EndoSound**  
 Portland Corporate Office  
 4640 S Macadam Ave., Suite 200, Portland, OR 97239  
 info@endosound.com | (971) 231-4791



© Copyright 2024. All rights reserved.

